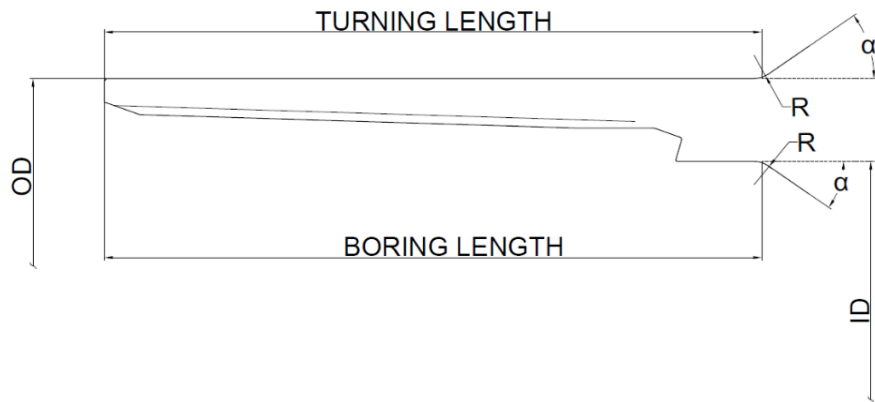


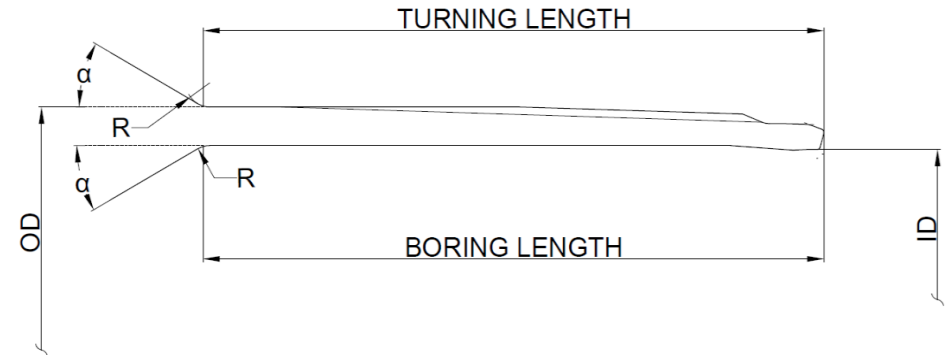
## 7 in 32 lb/ft

Clearance: Standard

Label	Pin/Box	OD [mm]	ID [mm]	Min. Turning Length [mm]	Min. Boring Length [mm]	OD [in]	ID [in]	Min. Turning Length [in]	Min. Boring Length [in]
7 in 32 lb/ft	BOX	196.40 ± 0.70	153.80 ± 0.20	144.00	144.00	7.732 ± 0.028	6.055 ± 0.008	5.669	5.669
	PIN	178.24 ± 1.33	154.40 ± 0.20	150.00	150.00	7.018 ± 0.052	6.079 ± 0.008	5.906	5.906



**BOX**



**PIN**

$$R_{\min} = 20 \text{ mm} = 0.79 \text{ in}$$

$$\alpha_{\min} = 30^\circ$$



[www.sentinelconnections.com](http://www.sentinelconnections.com)

PCBD-SENTINEL\_Prime-7-32

Date of issue (dd/mm/yyyy): 31/10/2024